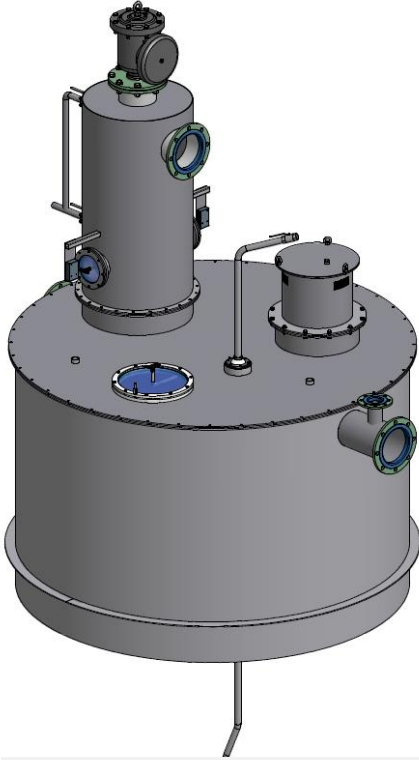


GAS DOME GD



- Platform for a variety of fermentation tower head equipment such as agitator flanges, foam traps, inspection glasses, safety equipment, etc.
- Simultaneously access aperture for inspections, maintenance as well as charging and removing materials
- Design and manufacture to customer requirements
- A wide variety of configurations can be manufactured to customer requirements
- Diameter / side wall height to requirements
- Entirely made from 1.4571 stainless steel
- Made in Austria

ENVIRONTEC'S GAS DOME GD

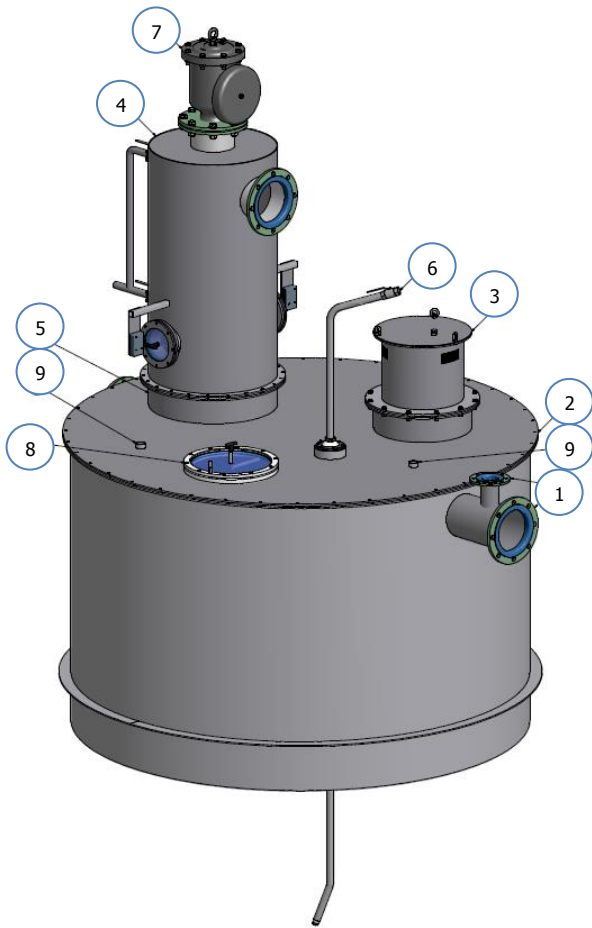
Gas domes/gas hoods serve two purposes: firstly, they accommodate a wide variety of equipment at the head of the fermentation tower such as safety equipment, foam traps, inspection/viewing windows, gas take-off fittings, etc. and, secondly, they provide a sufficiently large aperture for charging and removing material as well as for accessing the interior.

The EnvironTec gas dome or gas hood is designed and manufactured to each specific customer requirement and can be supplied in a wide variety of configurations. Diameter and wall height are individually adjustable.

Usually, 1.4571 stainless steel is used for the gas dome/gas hood. Other materials on request.

APPLICATIONS AND SPECIFICATIONS

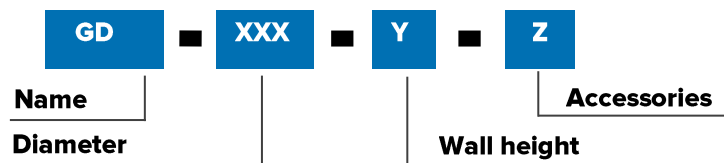
- Access and inspection aperture for anaerobic fermentation vessels
- Support platform for a wide variety of equipment at the head of the fermentation tower
- Support of agitators possible
- Variable diameter and wall height
- Supplied for welded connection or with sealing collar for moulding in at the head of the fermentation tower



1. Additional flange connection for valves
2. Gas dome
3. Hydraulic vacuum/pressure protection
4. Foam trap with gas outlet
5. Counter flange for foam trap installation
6. Ball joint nozzle for attacking stubborn floating layers
7. Combined vacuum/pressure relief valve (mechanical)
8. Inspection glass
9. Socket for additional equipment

Model size	Diameter	Height
	A in mm	B in mm
GD 400	406	1500
GD 600	606	1500
GD 800	812,8	1500
GD 1000	955	1500
GD 1200	1274	1500

TYPE SPECIFICATION



XXX

600 – 1200 mm (standard), other sizes in request

Y

1500 mm (standard), other heights on request

Z

IG ___ inspection window
 FT ___ foam trap
 CMV ___ mechanical vacuum/pressure protection
 CHV ___ hydraulic vacuum/pressure protection
 SU ___ ball joint nozzle