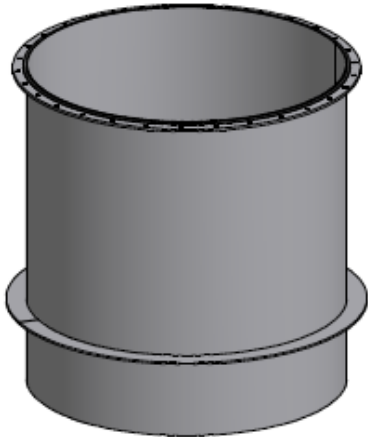


ROOF MANHOLE RMH



- Access aperture in concrete containers for inspections and maintenance work
- Available in different diameters
- Frame height to customer specification
- Incl. sealing collar for moulding into concrete ceilings
- Incl. cover (not shown)
- Entirely made from 1.4571 stainless steel
- Made in Austria

ENVIRONTEC'S ROOF MANHOLE

A sufficiently large and easy to open/close aperture is required for carrying out repair and inspection work as well as for moving bulky equipment into and out of fermentation containers.

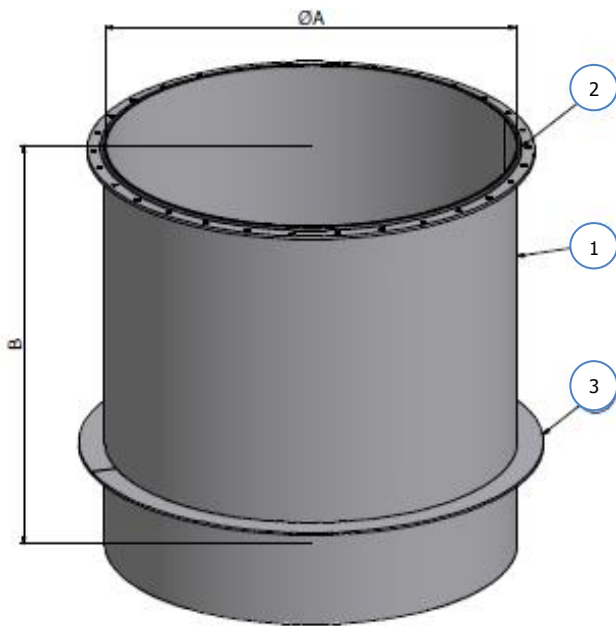
The EnvironTec RMH roof manhole provides a robust and cost-effective

manhole design for this purpose. The roof manhole is available in four different standard diameters – also in custom sizes to customer specifications.

Usually, 1.4571 stainless steel is used as material for roof manholes and NBR round cord as gasket.

APPLICATIONS AND SPECIFICATIONS

- Access and inspection aperture for anaerobic fermentation vessels
- Entirely made from 1.4571 stainless steel
- NBR cover gasket

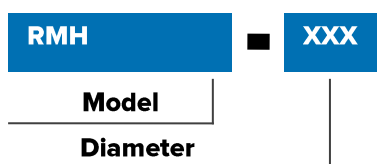


1. Frame for moulding into the container wall
2. Ring gasket
3. Handle bar

| Model size | Diameter | Height |
|------------|----------|---------|
| | A in mm | B in mm |
| RMH 400 | 406 | 1000 |
| RMH 600 | 606 | 1000 |
| RMH 800 | 812,8 | 1000 |
| RMH 1000 | 955 | 1000 |
| RMH 1200 | 1274 | 1000 |

*variable

TYPE SPECIFICATION



XXX Diameter