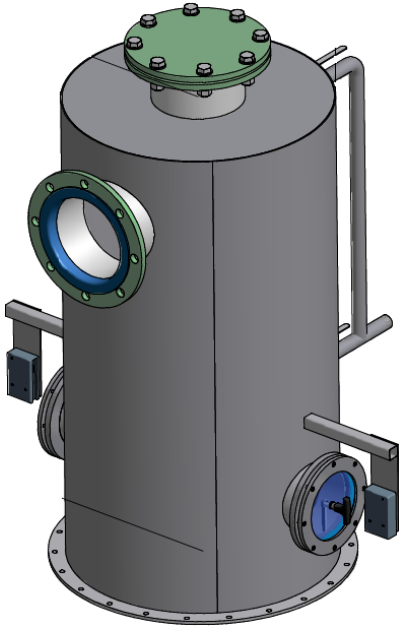


## FOAM TRAP FT



- Detection and suppression of foam formation inside the gas take-off dome
- Prevents foam ingress into the gas system
- Foam return to the reactor chamber
- Integrated cleaning nozzles
- Optional fully automated equipment
- ATEX-compliant sensors
- Entirely made from 1.4571 stainless steel
- Connection option for positive/negative pressure

## ENVIRONTEC'S FOAM TRAP FOR GAS TAKE-OFF DOME

During the operation of fermentation vessels it is possible for foam to form (e.g. during mixing processes inside the reactor, charging of pressurised gas, disadvantageous composition of the sewage slurry, temperature effects, etc.). The modern EnviroTec foam trap facilitates the timely detection of the build-up of foam and the effective prevention of this foam entering the gas take-off system.

The interior of the foam trap is continually monitored by a photo-optical system. When the foam formed inside the gas chamber rises to the monitored section, this is immediately detected and the cleaning nozzles are automatically activated. The foam in the foam trap is kept down by a spray veil preventing it from entering into the gas pipeline system.

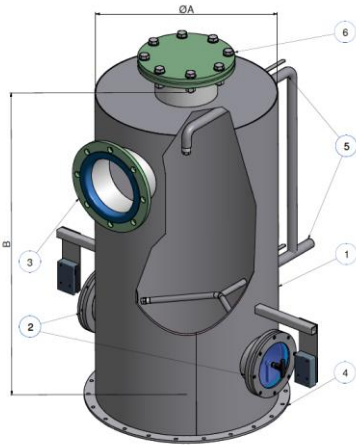
The suppressed foam falls directly back into the reactor chamber.

The foam trap is available in different specifications (basic specification, semi and fully automatic as well as incl. signal output to a control system).

EnviroTec foam traps are entirely made from 1.4571 stainless steel and fitted with high-quality components/fittings.

# APPLICATIONS AND SPECIFICATIONS

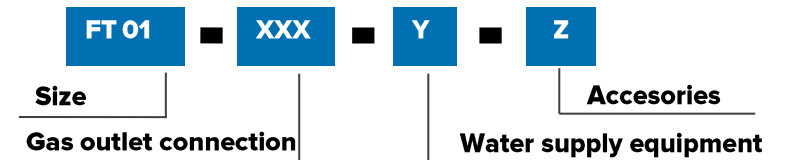
- Gas purification by removal of solid particles and condensate vapours
- Filtration rating:  $\geq 8 \mu\text{m}$
- Optionally available with differential pressure gauging, water level indication and condensate drainage



1. Foam trap body
2. Sight glasses with light barrier sensors
3. Gas outlet pipeline
4. Connection to gas take-off dome
5. Free flange connection

Model size	Diameter	Height	Flow rate	Gas connection
	A in mm	B in mm	Nm <sup>3</sup> /h	DN
FT 01	306	800	< 200	80
FT 02	506	1000	200-400	125
FT 03	606	1200	400-750	200
FT 04	955	1400	750-1200	250

# TYPE SPECIFICATION



**Y** Basic)\_\_\_basic specification water connections and ball valve  
 mv)\_\_\_incl.magnetic valve for automatic water supply supply  
 auto)\_\_\_incl. magnetic valve and controller

**Z** 0\_\_blank lid  
 1\_\_mechanical pressure relief valve  
 2\_\_mechanical pressure and vacuum relief valve