

PRESSURELESS GASHOLDER TG/TGZ



- Pressureless gas storage of sewage, bio, landfill or other special gases pursuant to ÖWAV rule sheet 30
- Robust galvanized steel casing, incl. accessories
- Short installation time
- Optional powder coating or trapezoid metal sheet cladding
- Hydraulic and mechanical pressure / vacuum protection
- Optical fill level indication, incl. optional 4-20mA signal
- Optional gas condenser station & UPS system
- Optional gas alert system
- Optional auxiliary shaft equipment

ENVIRONTEC'S PRESSURELESS GASHOLDER

EnvironTec offers 2 pressureless gas storage systems that are basically differentiated by the type of casing design.

The TG model consists of a galvanized steel profile structure with trapezoidal sheet metal cladding.

The TGZ model consists of a prefabricated metal silo made from galvanized corrugated steel sheet metal segments with laterally attached stiffening profiles and a conical roof.

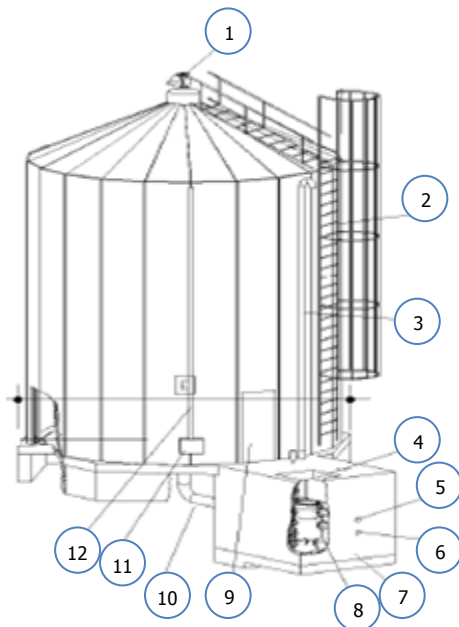
The storage membrane is made from high-quality, leakage-tested, UV-resistant special plastic material; fungicide treated, flame resistant to DIN 4102 B2.

The membrane is completely self-contained and freestanding inside the container (no steel components in direct contact with the gas).

It is attached by/fitted with a stainless steel connection flange (material no. 1.4571) at the tip of the conical housing and at the bottom of the gas sack. A protective floor mat is laid on top of the concrete foundation for the protection of the storage membrane. The gas containers are equipped with hydraulic pressure/vacuum protection, a mechanical pressure relief valve as well as optical fill level indication and vacuum monitoring.

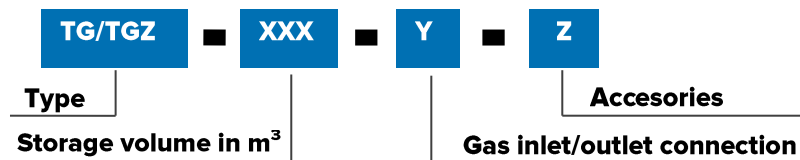
DESIGN PARAMETERS

- Gasholder sizes: from 10 to 6,000 m³
- Positive operating pressure: approx. 1-2 mbar
- Ambient temperature: -30°C to +50°C
- Max. permissible gas temperature: +50°C
- Max. permissible pos. operating pressure: +5mbar
- Max. permissible neg. operating pressure: -2.5mbar
- Max. permissible roof snow load: 120 kg/m² for TG
75 kg/m² for TGZ (higher snow/wind loads on request!)



1. Mechanical pressure relief valve
2. Access ladder with safety cage
3. Relief line
4. Manhole
5. Line from fermentation reactor
6. Line to consumer
7. Gas storage auxiliary shaft
8. Hydraulic safety equipment
9. Access door
10. Gas displacement line from gas storage
11. Angular rotation transducer
12. Optical fill level indicator

TYPE SPECIFICATION



Y Connection flange on membrane DN../PN10

Z 0_4-20 mA fill level gauging
1__powder coating, external surface for TGZ model
2__powder coating for external and internal surface TGZ-model