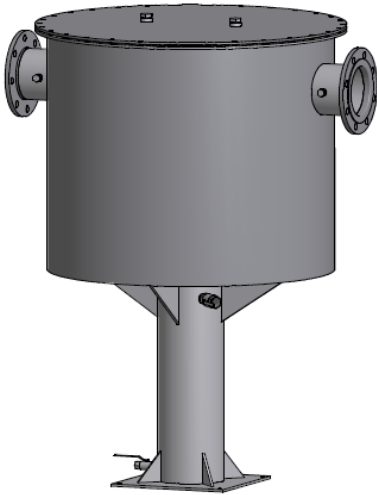


GRAVEL FILTER GF



- Removal of coarse particles and foam from biogas/sewage gas
- Condensate separation
- Flashback protection device
- Low maintenance
- Optional differential pressure gauging and gravel removal
- Entirely made from 1.4571 stainless steel
- Made in Austria

ENVIRONTEC'S GRAVEL FILTER

Biogas from fermentation vessels or biogas reactors is saturated with water and partially loaded with dirt particles. In addition, foam may enter the pipeline system.

The EnvironTec GF gravel filter ensures the simple coarse cleansing of the biogas. The gas flows through a gravel filter layer during which process dirt, foam and condensate droplets are separated out.

In the case of normal debris levels, the gravel can be cleaned by water injection via the cleaning

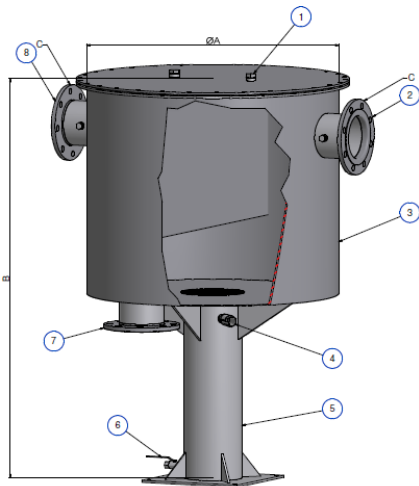
nozzles or by flushing without the need to open the filter.

EnvironTec offers gravel filters for different flow volumes and pressures. The gravel filter can optionally be fitted with a gravel removal flange as well as differential pressure gauging.

EnvironTec gravel filters are entirely made from 1.4571 stainless steel.

APPLICATIONS AND SPECIFICATIONS

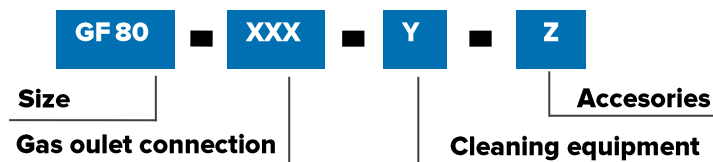
- Gas coarse cleaning of fermentation gas or biogas plants
- Made from 1.4571 stainless steel
- Optional equipment available



1. 1" socket for flushing
2. Gas outlet
3. Gravel body
4. Siphon (internal)
5. Base / condensate tank
6. Condensed water drain
7. Gravel removal (optional)
8. Gas Inlet

Model size	Diameter	Height	Flow rate	Gas connection
	A in mm	B in mm	Nm ³ /h	DN
GF 80	480	1400	80	50
GF 150	480	1400	150	65
GF 250	480	1400	250	80
GF 350	640	1400	350	100
GF 500	800	1400	500	125
GF 750	950	1500	750	150
GF 1000	1270	1500	1000	200
GF 1400	1600	1500	1400	250

TYPE SPECIFICATION



Y basic_basic specification with ball valve
d____incl. 2 cleaning nozzles in the lid

Z 0_standard
1__2 pressure gauges (gas inlet and outlet)