

## CERAMIC FINE FILTER FF



- Separation of ultrafine particles and humidity from biogas/sewage gas
- Fine purification of the gas, e.g., directly before gas engines
- Low pressure loss
- Removable filter inserts for easy cleaning
- Optional differential pressure gauging and condensate drainage
- Entirely made from 1.4571 stainless steel
- Made in Austria

### ENVIRONTEC'S CERAMIC FINE FILTERS

Fine filters are used for the fine purification of sewage gas/biogas. This allows the separation of fine particles  $\geq 8 \mu\text{m}$  as well as condensate vapour resulting in the availability of gas for further use that is free of foreign matter to the greatest possible extent.

EnvironTec fine filters are fitted with filter candles made from Pantel (special fire clay). As the gas flows through the filter candles from the outside to the inside foreign matter is separated out on the outer wall. The filter material used is chemically

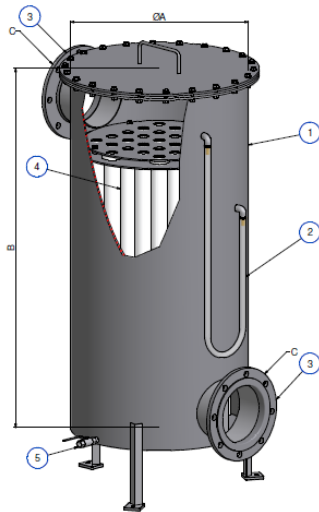
resistant/neutral, has a high filtration performance coupled with a low pressure loss and is easy to clean with pressure washers.

Any condensate build-up can be drained via an optional siphon or condensate separator. If required, the fine filters can also be fitted with differential pressure gauging (U-tube or individual pressure gauges).

EnvironTec fine filters are entirely made from 1.4571 stainless steel.

# APPLICATIONS AND SPECIFICATIONS

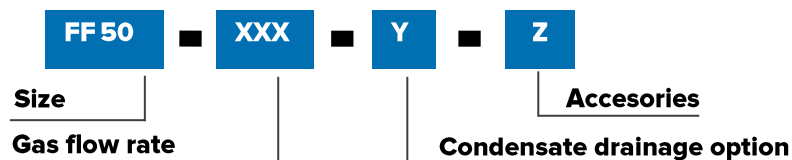
- Gas purification by removal of solid particles and condensate vapours
- Filtration rating:  $\geq 8 \mu\text{m}$
- Optionally available with differential pressure gauging, water level indication and condensate drainage



1. Fine particle filter - body
2. U-tube pressure gauge (differential pressure gauging / optional)
3. Gas inlet / outlet
4. Ceramic filter cancles
5. Connector for additional equipment (condensate drain)

Model size	Diameter	Height	Flow rate	Gas connection
	A in mm	B in mm	Nm <sup>3</sup> /h	DN
FF 50	168,3 (DN150)	1250	50	50
FF 75	168,3 (DN150)	1250	75	65
FF 100	273 (DN250)	1280	100	80
FF 150	273 (DN250)	1320	150	100
FF 250	355,6 (DN350)	1300	250	125
FF 500	478	1330	500	150
FF 750	640	1330	750	200
FF 1000	640	1500	1000	250

## TYPE SPECIFICATION



**XXX** 50 m<sup>3</sup>/h – 1000 m<sup>3</sup>/h

**Y** k\_basic specification with ball valve  
s\_siphon for automatic water supply  
ka\_automatic condensate separator

**Z** u\_diff. gauging with U-tube pressure gauge  
m\_differential pressure gauging with pressure gauge