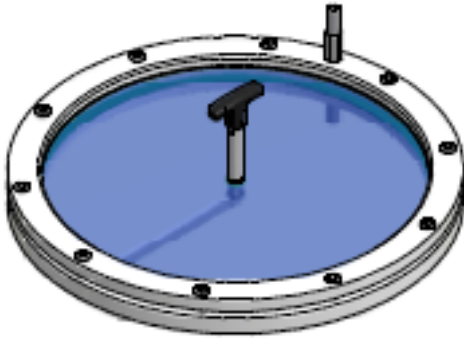


INSPECTION GLASS IG



- Easy observation of the processes inside containers / reactor chambers
- High-strength glass material
- Integrated window wipers (internal)
External optional
- Optional spray mechanism & protective cover
- Specification with ex inspection glass luminaires or camera system available
- Entirely made from 1.4571 stainless steel

ENVIRONTEC'S INSPECTION GLASS SYSTEM/OBSERVATION WINDOW

Inspection glasses/observation windows are used for the easy and unobstructed observation of the processes inside fermentation vessels (e.g., formation of floating layers).

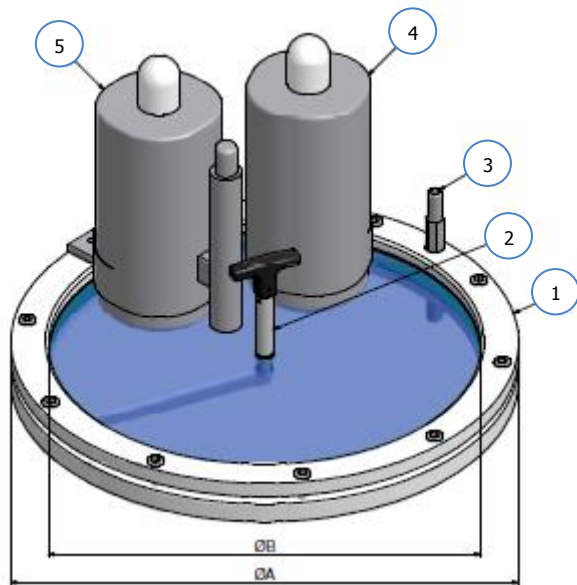
The EnvironTec inspection glass system can be integrated into a manhole cover or gas dome or be installed in the reactor roof or external wall using a special insert.

EnvironTec inspection glasses are available in different sizes. Window wipers, spray mechanisms, inspection glass luminaires (also ex-protected) and protective covers are available as optional accessories.

The glass material is highly durable and shatterproof. The frame construction is made from 1.4571 stainless steel as standard.

APPLICATIONS AND SPECIFICATIONS

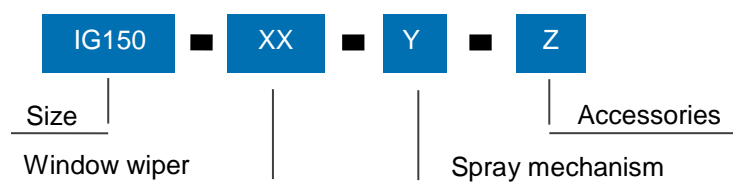
- Observation systems for fermentation gas plants
- For installation in gas domes, manhole covers or with a special insert
- Suitable for reactor roof and external wall



1. Inspection glass with frame assembly
2. Window wiper
3. Spray mechanism
4. Ex inspection glass luminaire
5. Ex camera system

Model size	Diameter	Inspection area
	A in mm	B in mm
IG 150	250	175
IG 200	300	225
IG 400	400	325

TYPE SPECIFICATION



XX i ___ internal
a

Y o ___ without spray mechanism
s ___ with spray mechanism

Z co ___ protective cover
l ___ inspection glass luminaire
cam ___ camera system